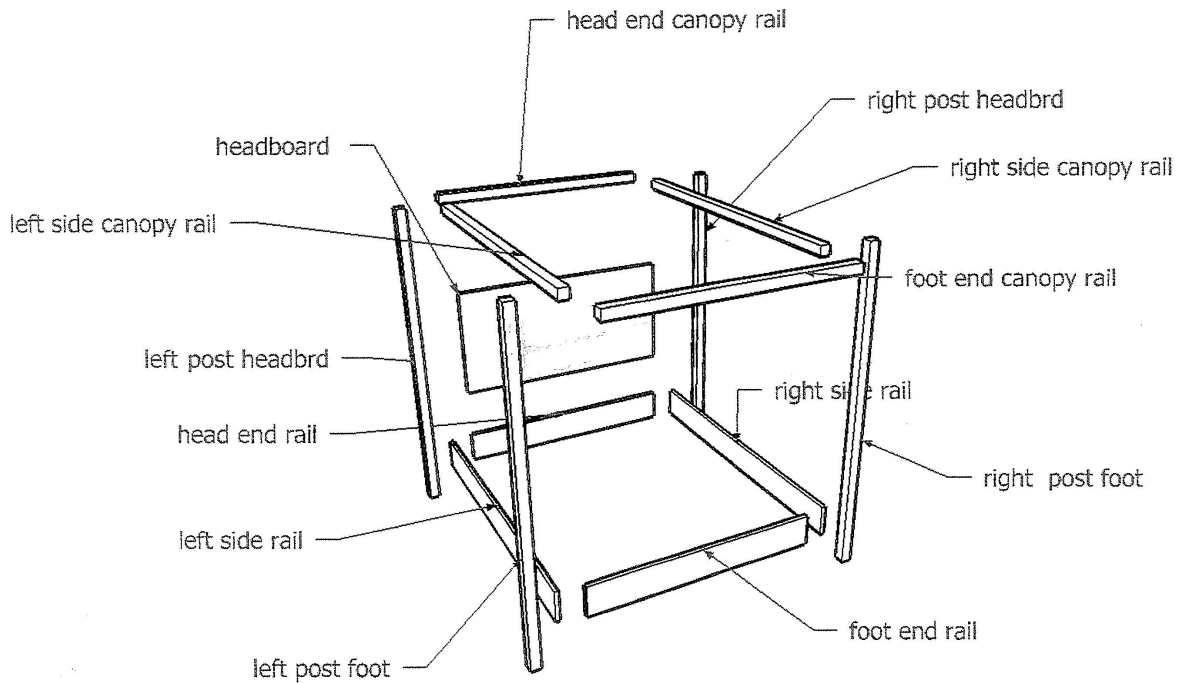


ASSEMBLY INSTRUCTIONS

CANOPY BED

Parts Enclosed:

2- Headboard Post (1) Left (1) Right, 2- Footboard Post (1) Left (1) Right, 2- Side rails, 2- End Rails, 1- Headboard, 1- Mallet, 1- Tapping Board



**STEP
.01**

Begin with the right post headboard, place the head end rail into the right headboard post and repeat with the headboard.

**STEP
.02**

Take the left post headboard and insert the headboard in place by tapping with mallet, insert the head end rail tapping down into place using piece of wood and mallet.

**STEP
.03**

Assemble the foot, using right post foot and left post foot and the foot end rail using mallet to tap into place.

**STEP
.04**

Using mallet tap the right side rail and the left side rail into place.

**STEP
.05**

Assemble the canopy using the right side canopy rail, left side canopy rail, head end canopy rail, and the foot end canopy rail. Tap these into place (1) at a time using mallet.